

UVG 2000

In-Duct Single Rack Unit



Lyon House, Lyon Road, Romford, RM1 2BG, United Kingdom
 T: +44 (0)1708 755 414 W: www.purifiedair.com
 E: enq@purifiedair.com

- The UVG 2000 unit is the most powerful and efficient air sterilisation unit of its type. Ideal for low and medium risk medical situations and general commercial applications.

- Performance backed by extensive scientific testing with verifiable results.

- The single rack lamp arrangement has been positioned to create the most effective microbiological destruction zone for lower demand applications, with the internal reflective surfaces adding further to the unit's impressive single-pass performance.



- For maximum flexibility this model is designed to allow multi-assembly of units to accommodate any given air volume or required plant position.

- Manufactured to exacting standards, the outer case is fabricated from 1.0mm thick galvanised sheet steel, epoxy polyester treated with aluminium anacoil internal liner and stainless steel lamp racks.

- The unit comes integral with a unique visual lamp monitoring system to facilitate easy identification and replacement of individual faulty lamps. A dedicated volt-free plug is provided to allow connection to an external monitoring circuit.

- At additional cost a remote wall mounted 'mimic' fault panel can be provided. (Interconnecting wiring will be required between unit controls and wall display).

- The whole control module and integral lamp rack is fully demountable to facilitate remote repairs and further creates an extensive opening for ease with cleaning of internal surfaces during maintenance periods.

- For maximum safety, automatic electrical isolation is activated when accessing the controls and lamps.

Technical details	
Dimensions W x H x L (mm)	550 x 350 x 1200
Weight	35 kg
Power input	280 Watts
Power supply (Unit provided with 2.0m flying lead only.)	220 - 240 AC / 50 Hz / 1 phase
Tube replacement	13,000 hrs maximum
Air Volume *	0.8 m ³ /s (1695 CFM) @ 18 Pa
Visual "Lamp fail" system	Included
Finish (visible-surfaces only)	Wedgewood Blue (BS 18C 37 Matt)
MRSA / C. Diff	99.99%

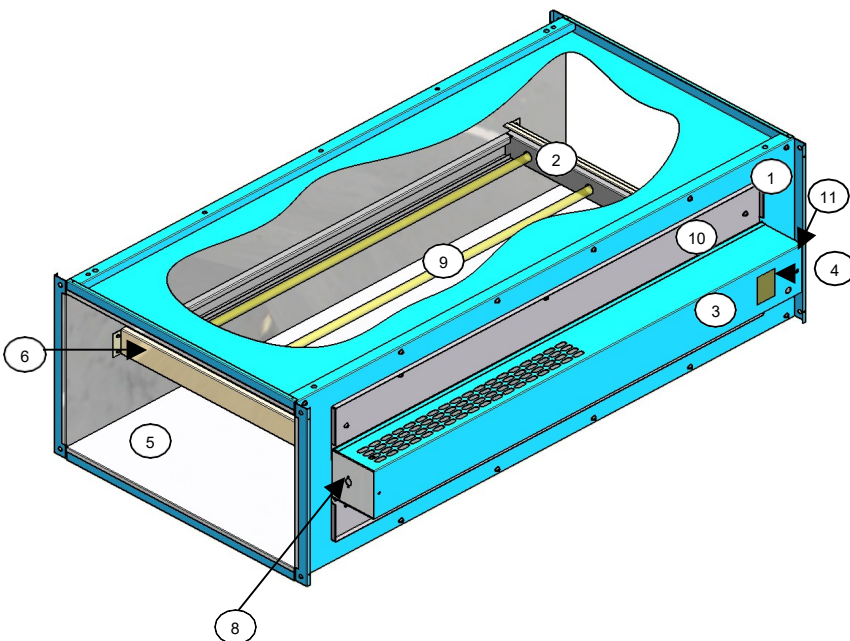
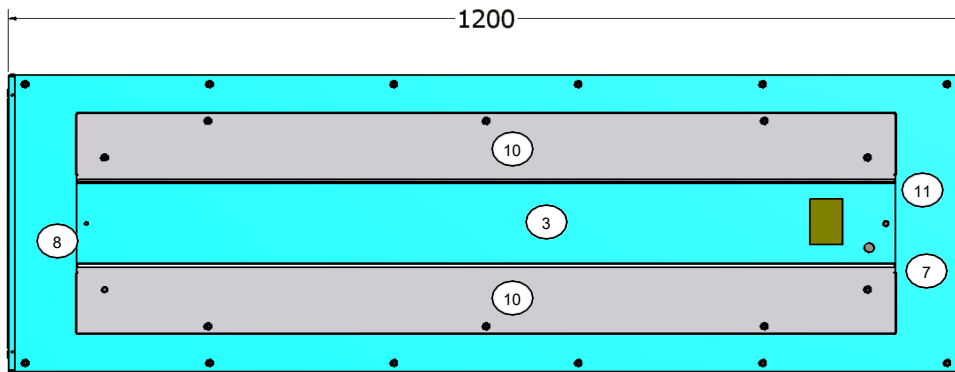
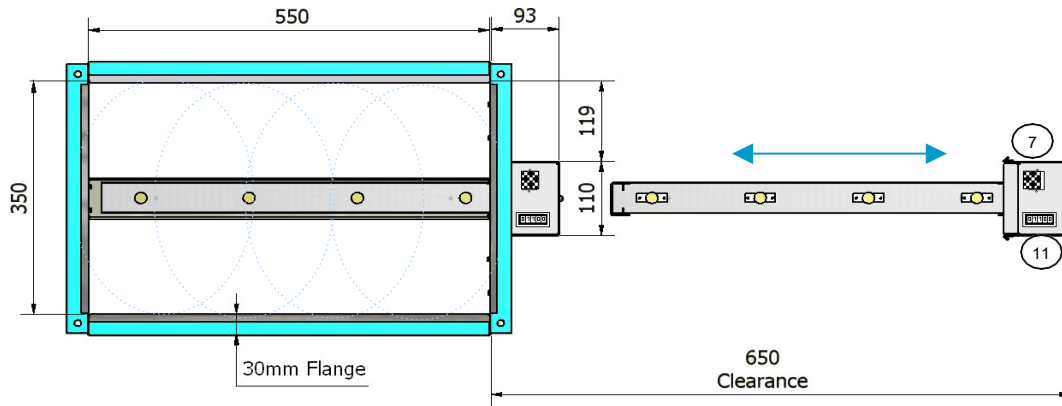
Important! The operation of this unit must be inter-locked with the airflow such that in the event of 'airflow failure' the unit will automatically switch off to protect the lamps.

*Maximum air volume for guaranteed performance. For air volumes greater than 0.8 use multi-assembly paired units in 0.8 m³/s increments.

For bespoke applications refer to Purified Air sales dept.

UVG 2000

In-Duct Single Rack Unit



- 1) Epoxy Treated Casework
- 2) Stainless Steel Lamp Rack
(1 N° x 4 Lamp Rack)
- 3) Electrical Control Box
- 4) Lamp Monitoring Panel
- 5) Anacoil Inner Liner
- 6) Rack Slide Rails
- 7) Power Connection
- 8) Volt-Free Contact For External Monitoring
- 9) UV Lamps
- 10) Removable Cleaning Plates
- 11) Hours-Run Indicator