

# UVG 6000

## Free-Standing Unit



PURIFIED AIR LTD, LYON HOUSE, LYON ROAD, ROMFORD, RM1 2BG,  
UNITED KINGDOM

T: +44 (0)1708 755 414 W: [www.purifiedair.com](http://www.purifiedair.com) C: [enq@purifiedair.com](mailto:enq@purifiedair.com)

- The UVG 6000 unit provides a practical but aesthetic sterilisation unit suitable for both commercial and medical applications.
- This effective sterilisation unit maximises use of a minimum air quantity to affect the greatest room area and as such is capable of servicing areas up to 50 cu metres approx.
- The basic unit comes complete with a fixed speed fan setting with manual over-ride for 'boost' fan room purging.
- For varying automatic sterilisation control a pre-programmed logic processor can be incorporated into the unit at additional cost.
- This multi-tasking integral controller provides variable speed operation at designated times to suit the particular room environment.
- The unit is designed with easy top access for tube and reflector replacement with fan, filter and controls accessed from the base.



Technical details	
<i>Dimensions W x D x H (mm)</i>	400 x 400 (base footprint) x 880
<i>Weight</i>	20 kg
<i>Fan</i>	Direct drive, rotor motor, forward curve DIDW centrifugal fan with sealed bearings
<i>Power supply (Unit provided with 2.0m flying lead only.)</i>	220 - 240 AC / 50 Hz / 1 phase
<i>Tube replacement</i>	13,000 hrs maximum
<i>Visual "Lamp fail" system</i>	Included
<i>Removable foam filter (mm)</i>	210 x 340 x 12
<i>Optimum room size</i>	50 cu m approx
<i>Finish (visible-surface only)</i>	White polyester gloss (RAL 9003)

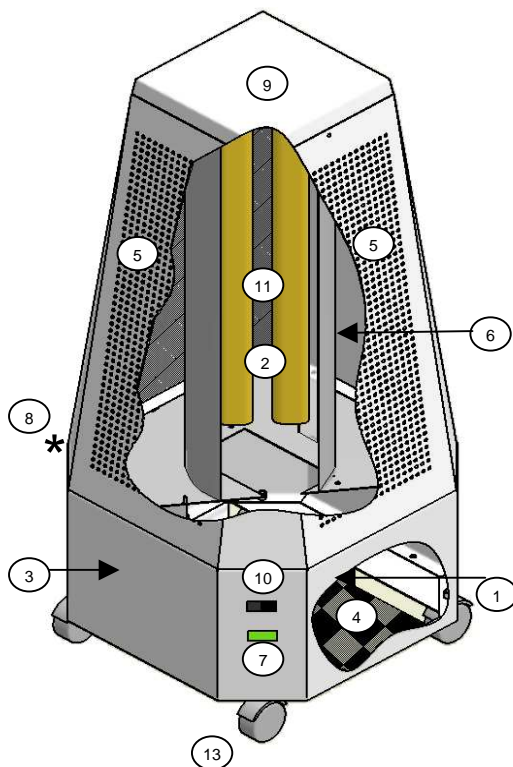
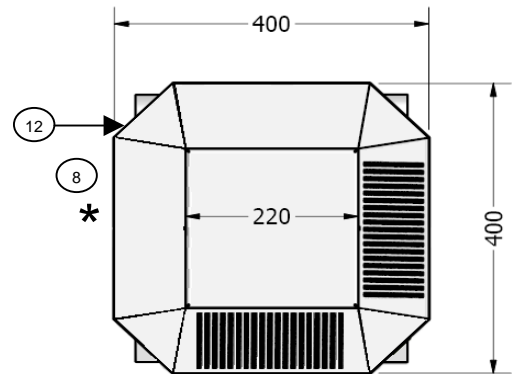
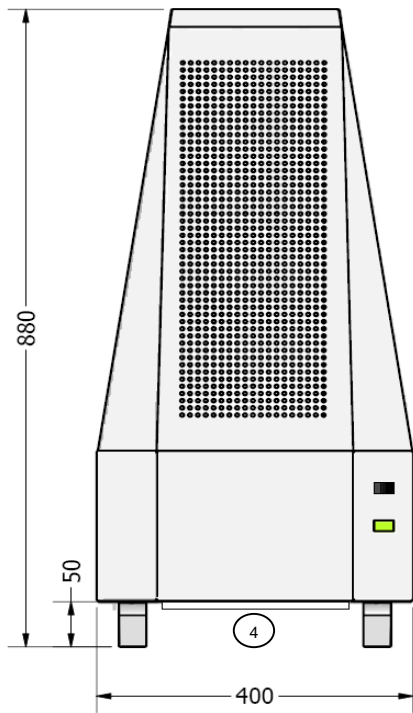
Settings	Air volume m <sup>3</sup> /s (CFM)	dBA	Amps	Watts
Standard (Factory setting)	0.05 (105)	40	1.16	270
Boost (option)	0.11 (230)	57	1.28	288

# UVG 6000

## Free-Standing Unit



PURIFIED AIR LTD, LYON HOUSE, LYON ROAD, ROMFORD, RM1 2BG,  
UNITED KINGDOM  
T: +44 (0)1708 755 414 W: [www.purifiedair.com](http://www.purifiedair.com) C: [enq@purifiedair.com](mailto:enq@purifiedair.com)



- 1) Fan (Not shown for clarity)
- 2) 2 N° UV Lamps (Including supports)
- 3) Removable Controls (Access from u/s)
- 4) Return Air Filter Pad (Access from u/s)
- 5) Perforated Supply Air Grille
- 6) Acoustic Insulation
- 7) Visual Indicator Light
- 8) Electrical Flying Lead (2.0 m)
- 9) Removable Top Access Cap
- 10) On/Off and Fan Boost Switch
- 11) Replacement Anacoil Reflector (Omitted from diagram for clarity)
- 12) Hours-Run Indicator
- 13) Castors